



# HITACHI

## SERVICE MANUAL

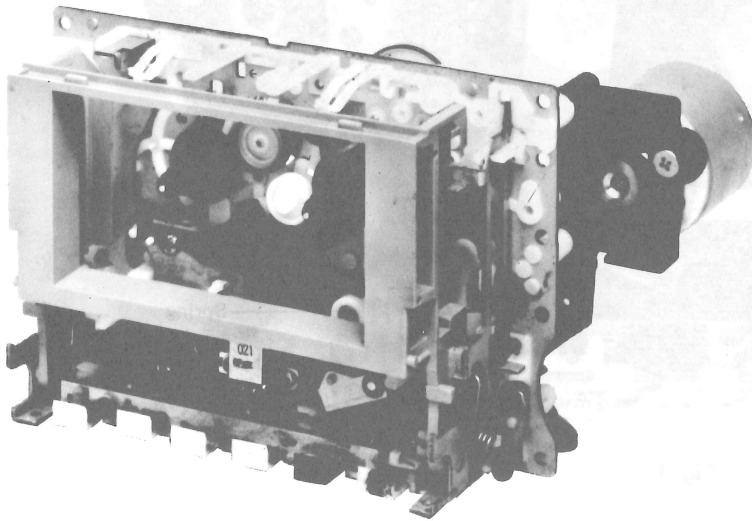
**TK****No. 1473E**

### ML-1 Mechanism

### TECHNICAL INFORMATION

RECEIVED NOV 1 2 1982

This information manual describes Cassette Deck Chassis ML-1A for model D-E25 and ML-1C for model D-J2, so read this together with each service manual.



#### CONTENTS

- Disassembly..... 2
- Description of new mechanism..... 5
- Inspection of mechanism.....10
- Lubrications .....10
- Exploded view.....11
- Replacement parts list.....13

The different points of the chassis ML-1A and ML-1C are listed in the table below.

ML-1A		ML-1C		DESCRIPTION
SYMBOL NO.	P-NO.	SYMBOL NO.	P-NO.	
9	6765803	10	6765466	HEAD PLATE
17	6546933	18	6546916	HEAD PLATE SPRING
27	6546507	28	6546972	SPRING
31	6305892	32	6520352	BACK TENSION SPRING
—	—	37	6322501	SPRING FOR SWITCH SLIDER
—	—	38	7331733	SWITCH SLIDER
40	7331795	41	7337127	FF SLIDER
45	7331717	44	7339471	PLAY SLIDER
48	7339061	49	7339065	RECORD SLIDER
51	6300083	52	6342222	SPRING
53	7331697	54	7331698	PICK UP LEVER FOR AUTO STOP
64	6765811	63	6765597	POWER ASSIST LOCK ARM
—	—	80	5643044	MAGNET
88	7336897	89	7336898	BUTTON HOLDER ASSEMBLY
92	6763104	93	6763103	CASSETTE HOLDER
—	—	96	7336902	REVIEW LEVER
—	—	97	7336921	CUE LEVER
—	—	98	7338132	SWITCH ARM ASSEMBLY
—	—	99	7338631	STOP PLATE
—	—	100	6534783	LEAF SPRING
—	—	101	6766442	RECORD STOPPER
—	—	102	7552442	PIN
—	—	103	7787027	POLY SLIDER WASHER
—	—	104	7339302	HEAD PLATE RETURN LEVER

SPECIFICATIONS AND PARTS ARE SUBJECT TO CHANGE FOR IMPROVEMENT

### ML-1 Mechanism

**January 1981****TOKAI WORKS**

DISASSEMBLY

1. Cassette holder

Open the cassette holder, remove the spring, and push the cassette holder in the direction of the arrow ① to detach it.

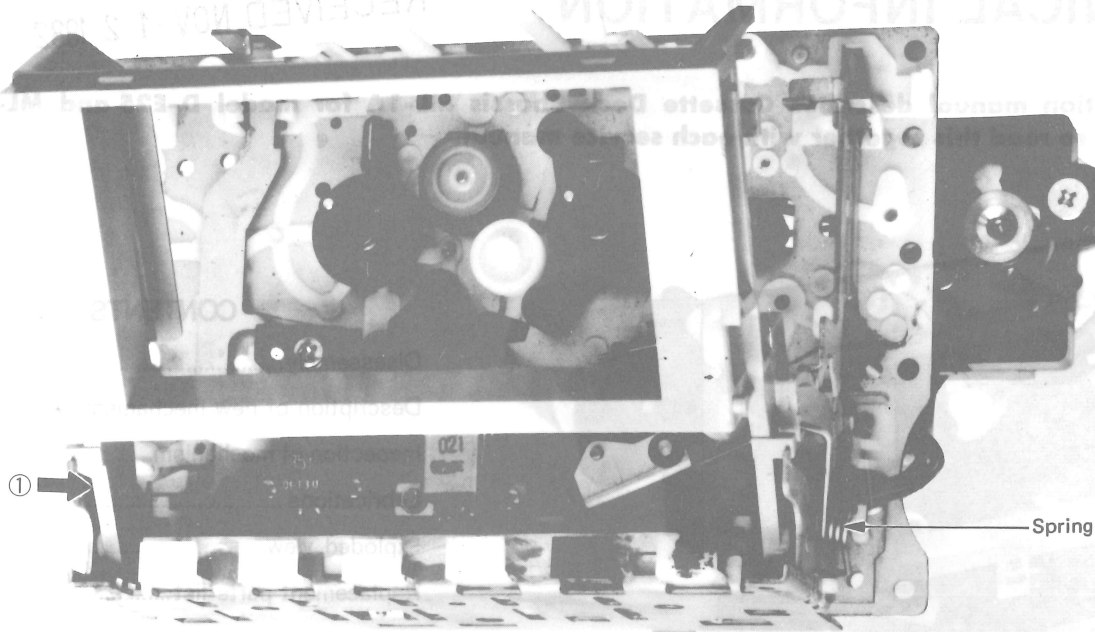


Fig. 1

2. Flywheel bracket

Remove 2 fixing screws.

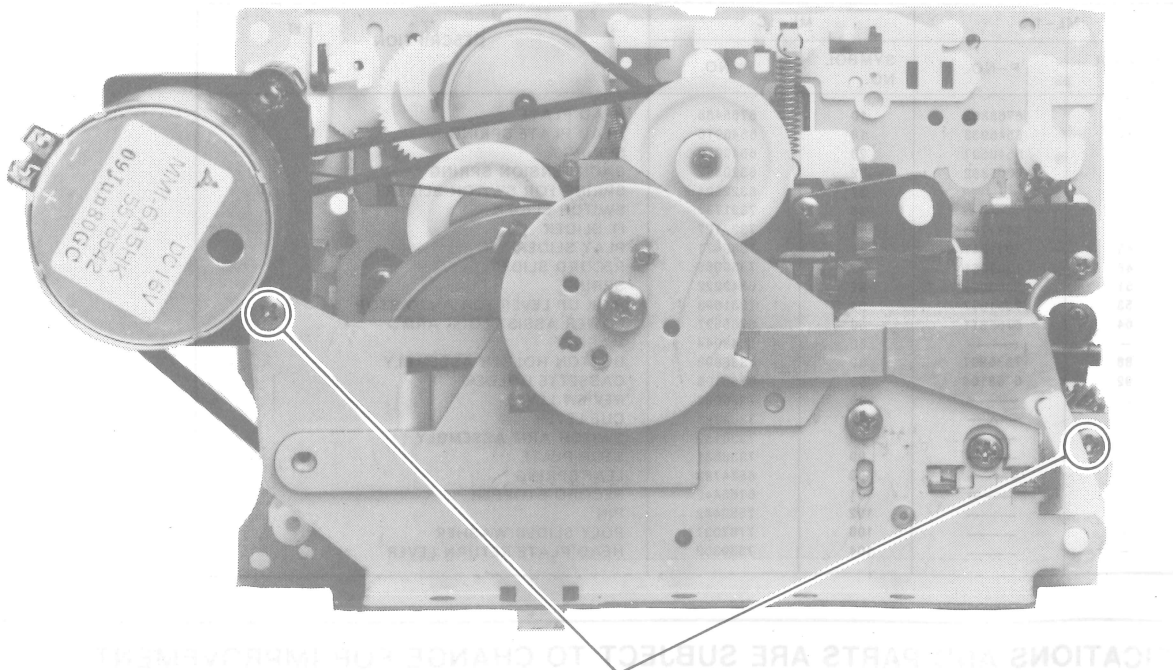


Fig. 2

3. PA gear, PAUSE gear

Remove the E ring and the timing arm pin.

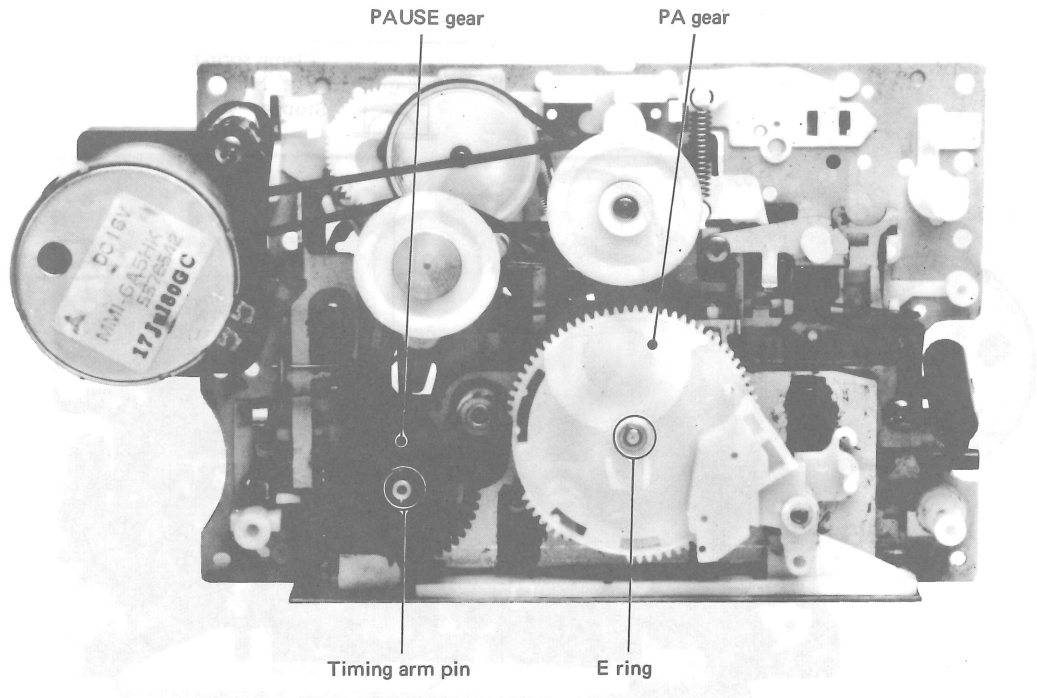


Fig. 3

4. PA slider

Remove the spring and 2 fixing screws.

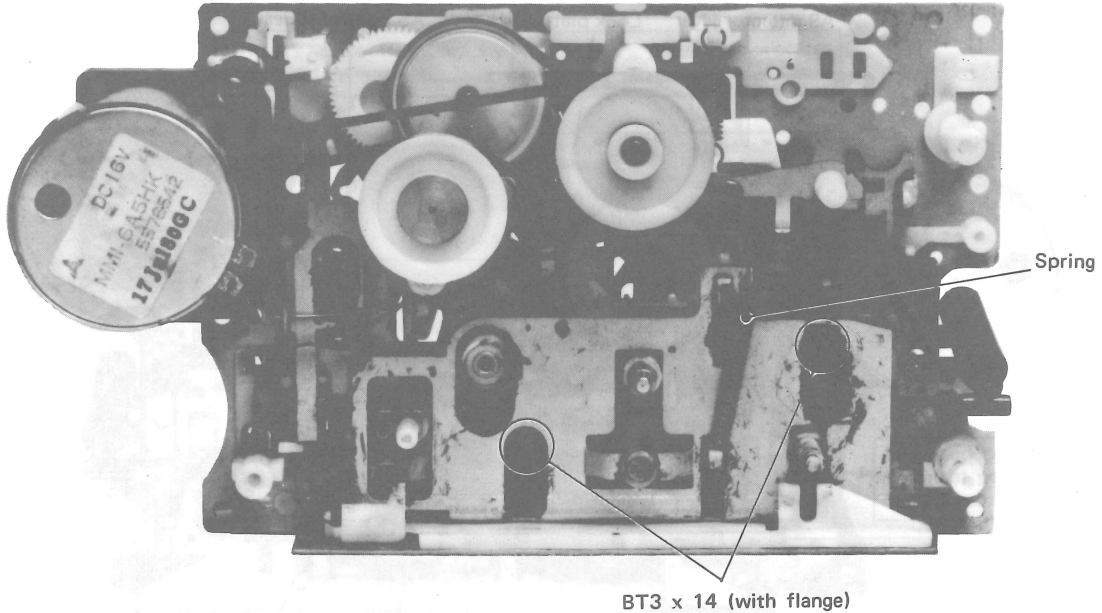


Fig. 4

5. Clamp spring

Remove the spring and 2 fixing screws, and detach the clamp spring while paying attention to the stopper.

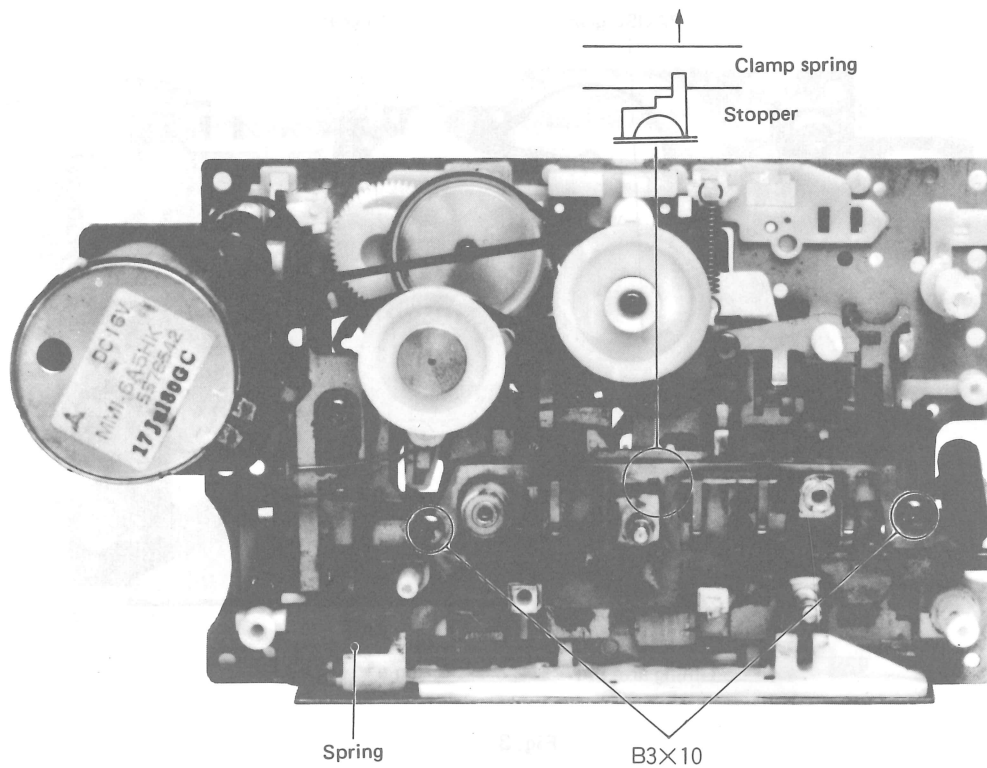


Fig. 5

6. Position of slider

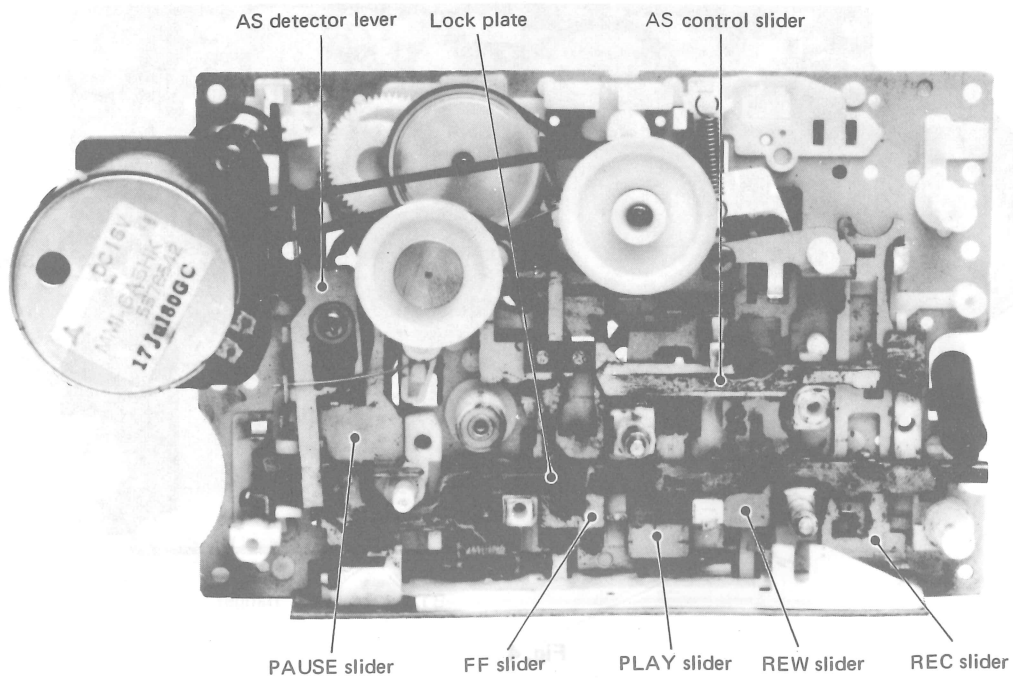


Fig. 6

## 7. Cautions during assembly

Check the following during assembly.

- (1) Positions marked by arrows are as shown in Fig. 7.
- (2) The spring is applied to the brake plate.
- (3) The spring is applied to the lock plate.
- (4) The head plate spring and the PLAY slider are as shown in Fig. 8.

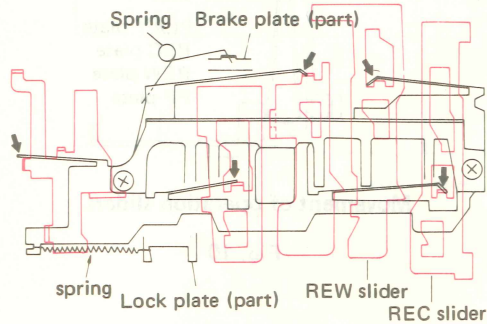


Fig. 7

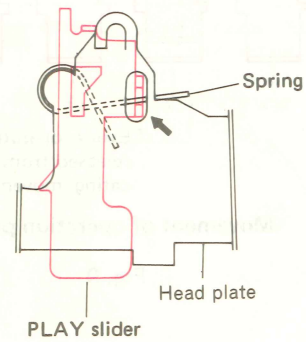
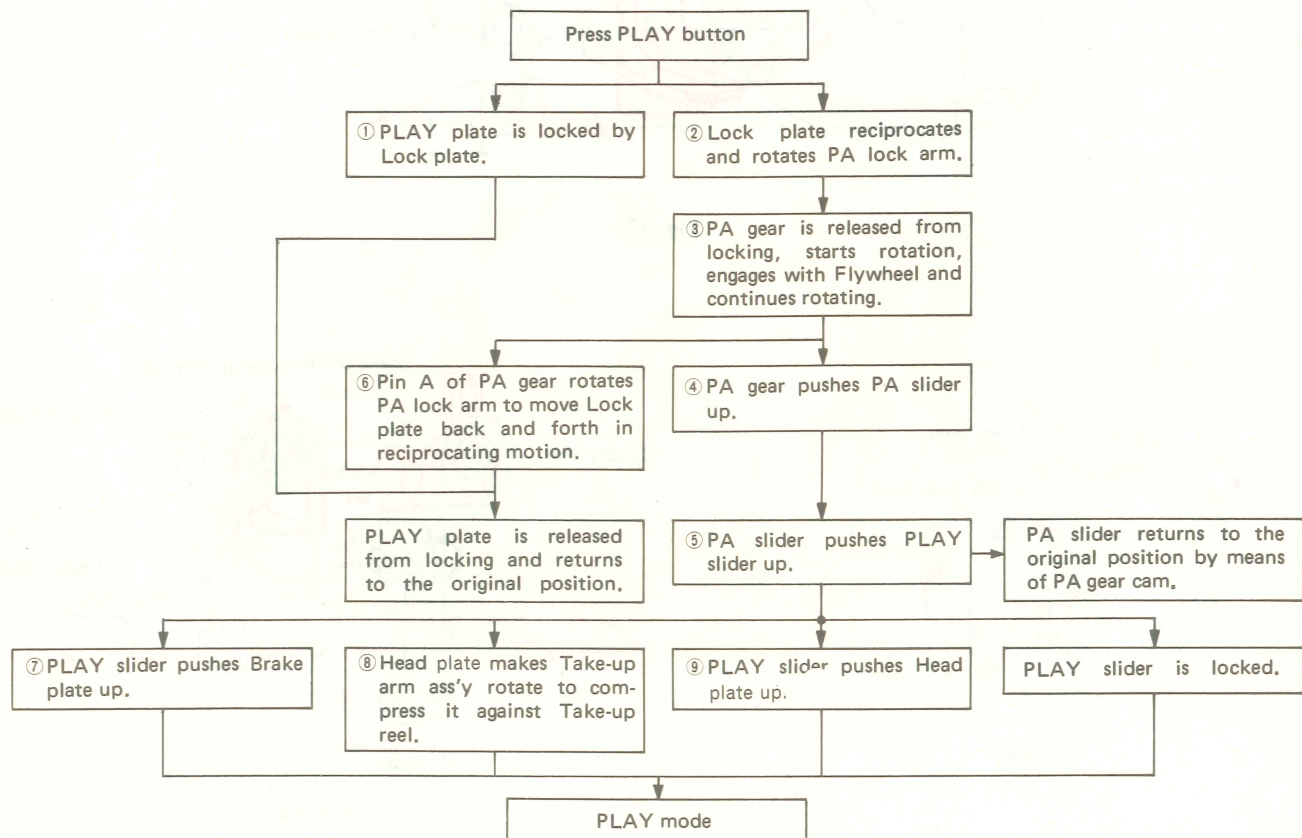


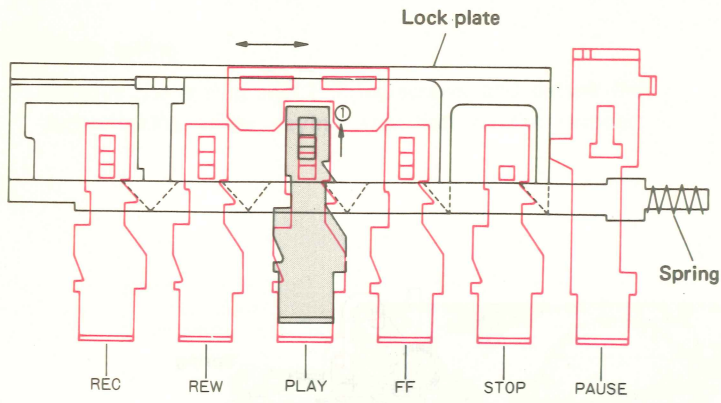
Fig. 8

## DESCRIPTION OF NEW MECHANISM

The operation sliders (REC, PLAY, FF, REW, PAUSE) of this unit are pushed up indirectly using the motor rotation force, so it is designed so that they can be operated lightly with a soft-touch.

### 1. PLAY mode



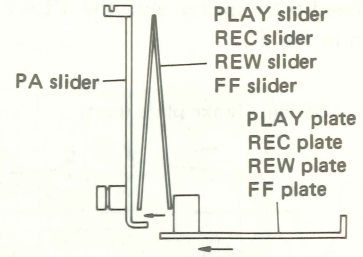


\* Every operation plate is locked or released from locking by the reciprocating movement of the lock plate.

Movement of operation plates

Fig. 9

\* Each slider is pressed by the corresponding operation plate and pushed up by the PA slider.



Movement of operation sliders

Fig. 10

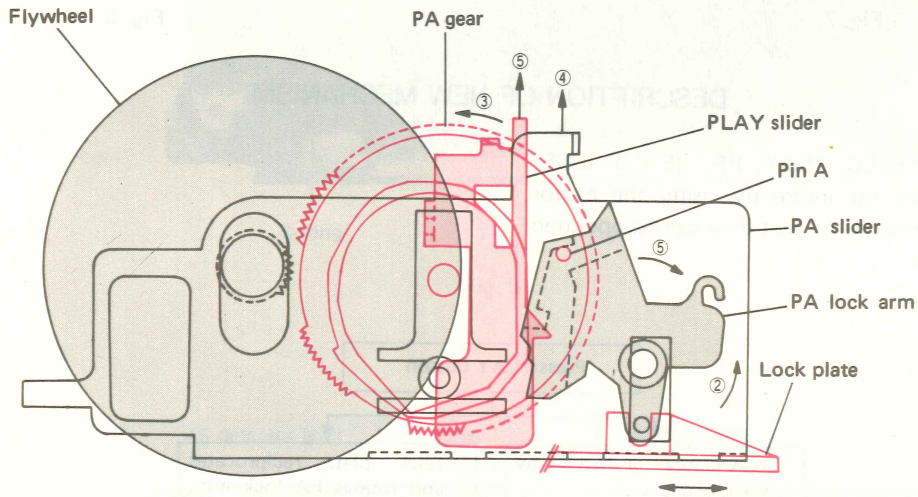


Fig. 11

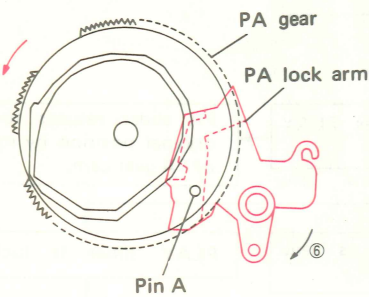


Fig. 12

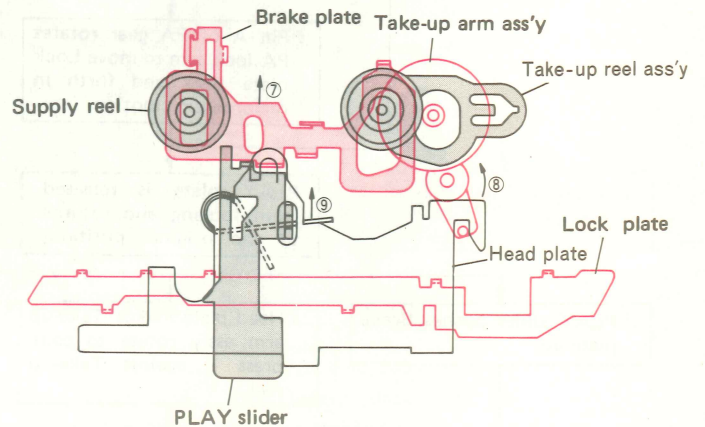


Fig. 13

2. REC mode

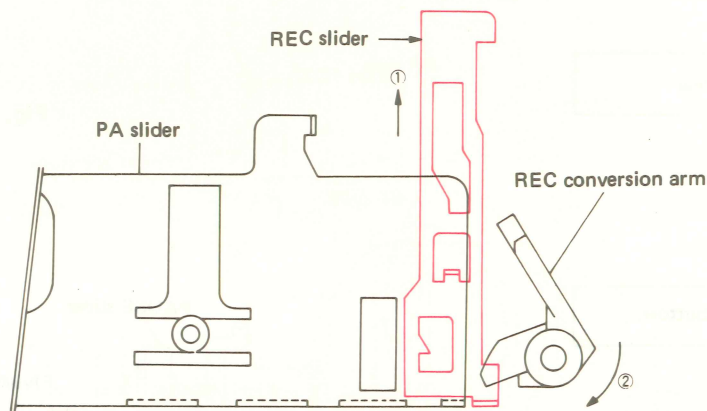
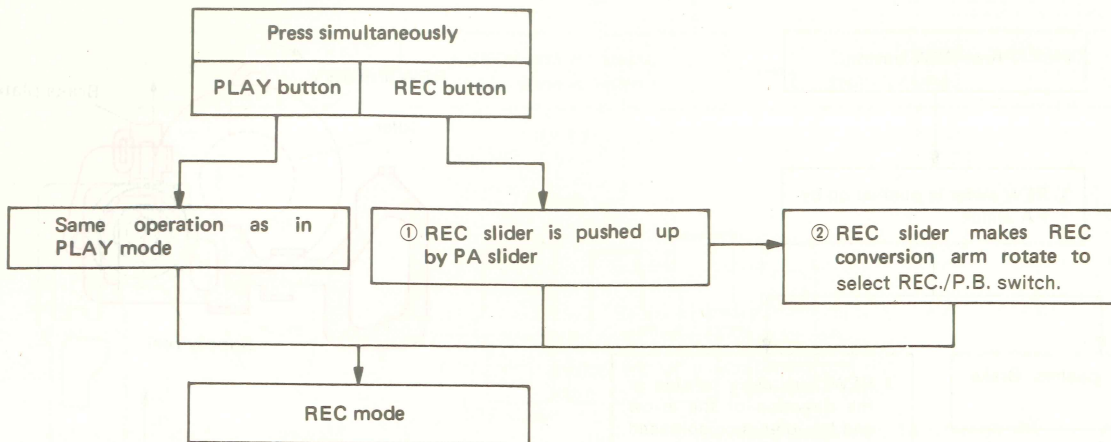


Fig. 14

3. FF mode

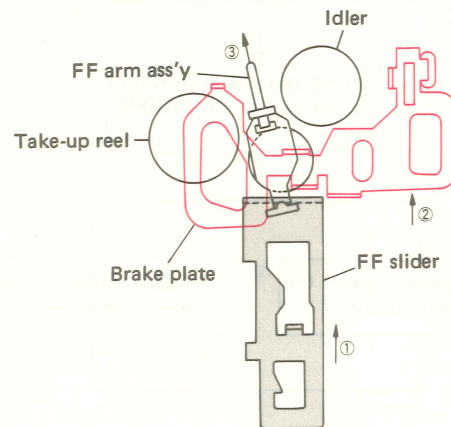
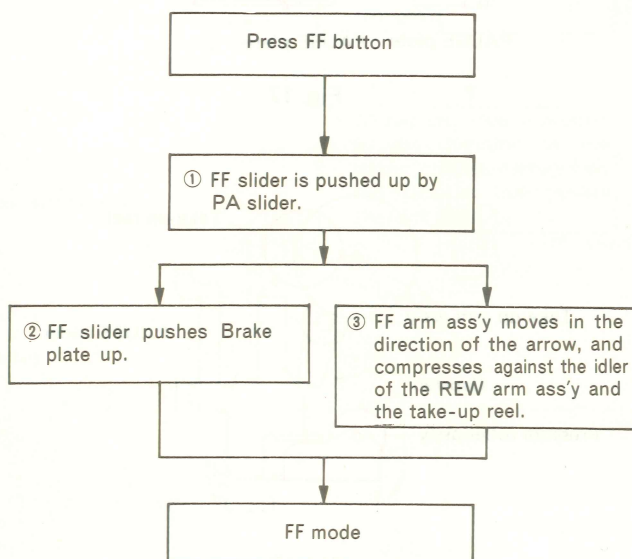


Fig. 15

4. REW mode

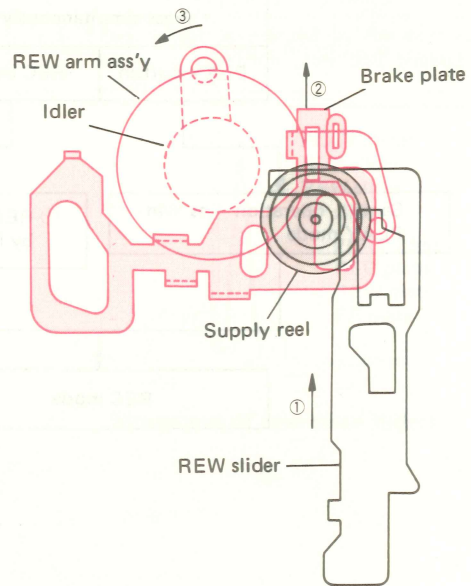
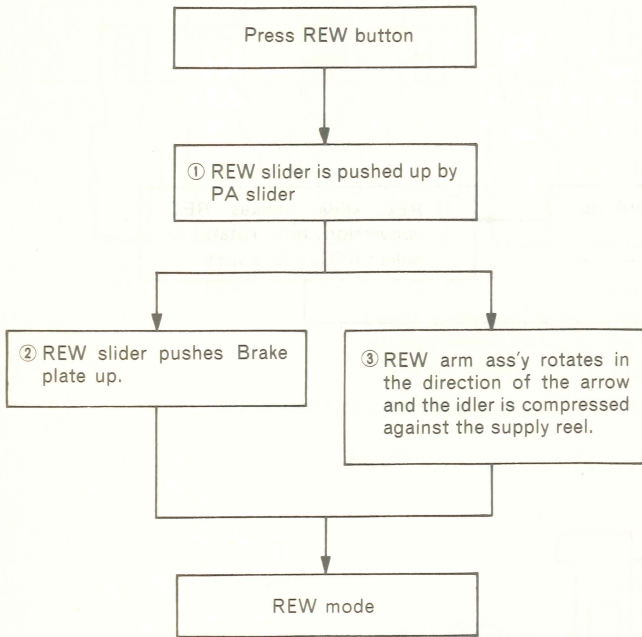


Fig. 16

5. PAUSE mode

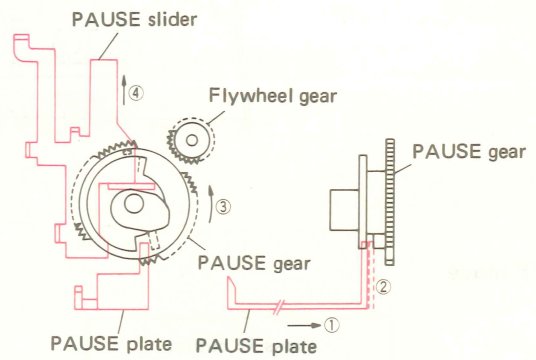
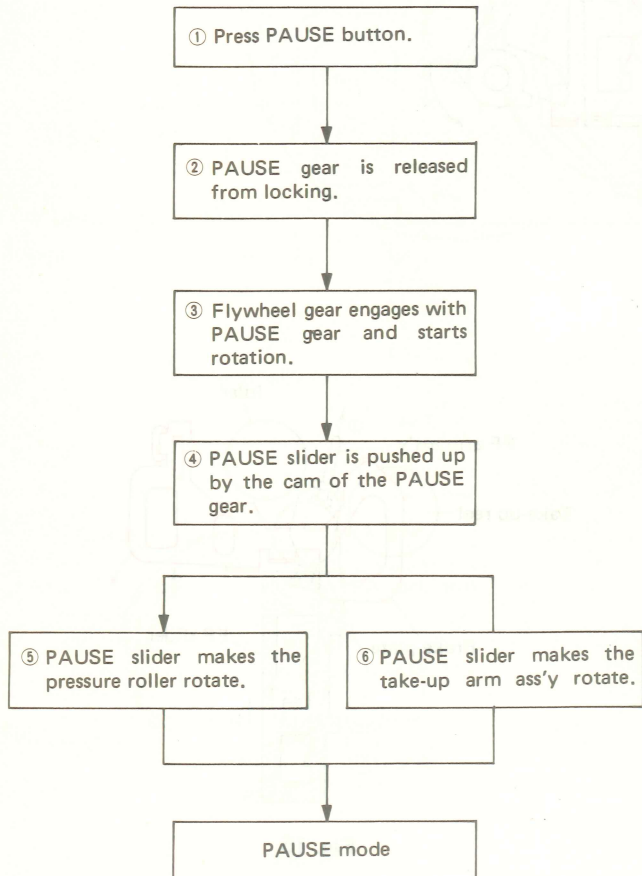


Fig. 17

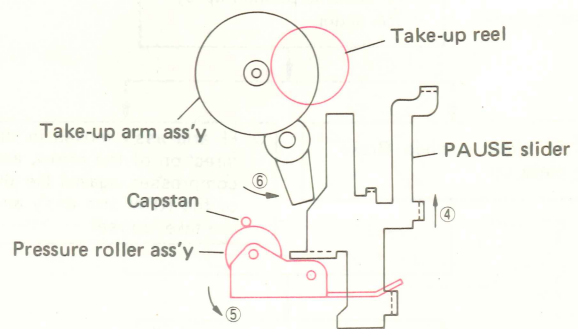


Fig. 18



6. STOP mode

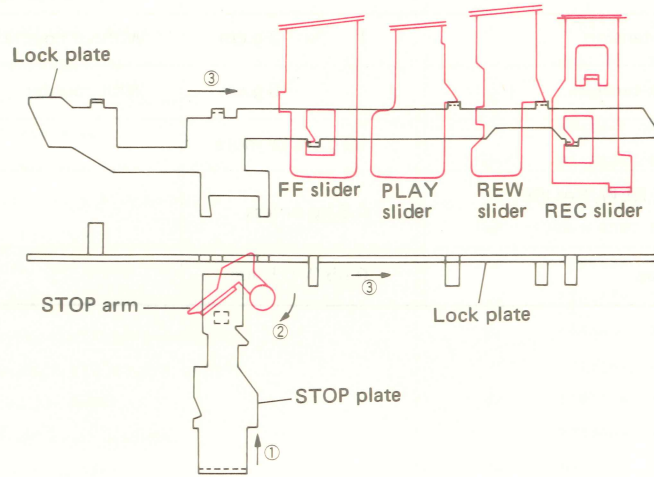
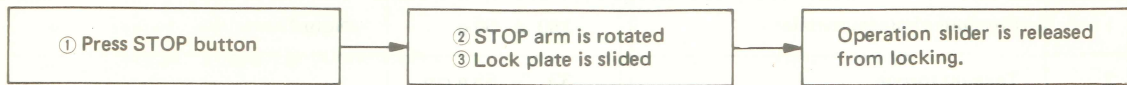


Fig. 19

7. Auto-stop

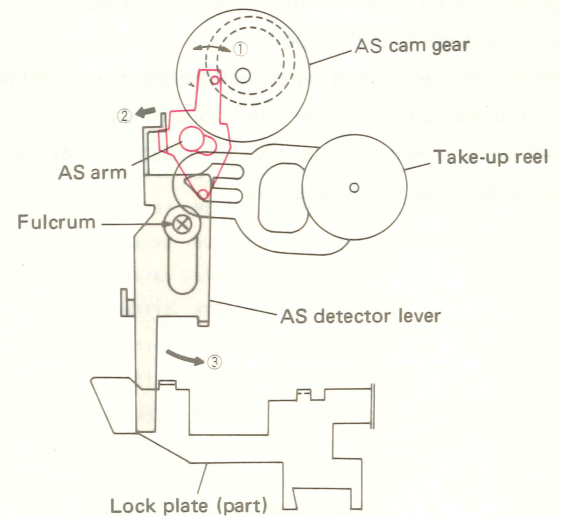
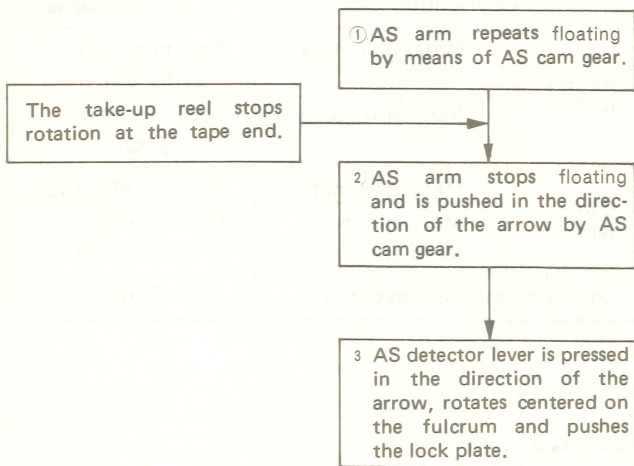


Fig. 20